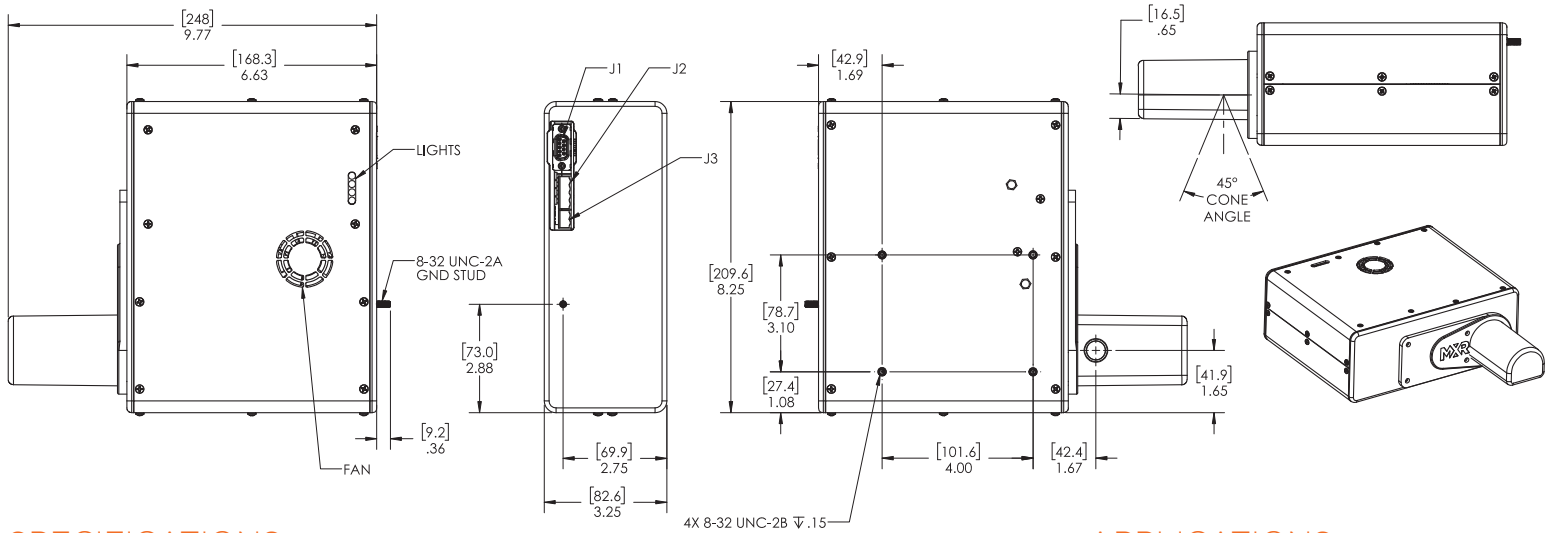




The side-window Microbox 100 provides ultimate convenience in a compact design offering a small focal spot size with a short FOD for optimal magnification providing industry-leading brightness and high contrast 2D and 3D images. Fully integrated unit includes side-window microfocus tube, high-voltage power supply, and controller, operated with Windows® based graphical user interface or API, and powered with 24VDC power supply.



SPECIFICATIONS

Operating Voltage	20-100 kV
Maximum Power	15 Watts
Spot Size	5 μ m @ 5W, 7.5 μ m @ 7.5W, 10 μ m @ 10W, 15 μ m @ 15W
Weight	4.5 kg (11.9 lbs.)
Dimensions	20.96cm x 19.61cm x 8.26cm (8.25" x 7.72" x 3.25")
Target Material	W, Cu
Input Power	24 VDC/2A
FOD (spot to window spacing)	7 mm (0.276")
Cone of Illumination	45°
Window Thickness	0.254mm (0.010") Beryllium
Communication Interface	RS-232C (9-pin D-sub connector)
Operation Ambient Temp.	+10° to +40°C (8W continuous), max. 28°C (15W cont.)
HV Ripple(At Max Load)	0.1% of Output Voltage(kVp-p)
Voltage Line Regulation	+/-0.25% of Max Voltage, No Load to Full Load
Current Line Regulation	+/-0.25% of Max Current, Over Input Voltage Range
Recommended Cooling	Internal fan with adequate flow is sufficient for ambient temp up to 28°C
Software PC Requirements	Windows 7, 8.1, 10

APPLICATIONS

- Electronic Component Inspection
- PCB Inspection
- Pouch Battery & Jelly Roll Inspection
- Semiconductor Inspection
- Micro-CT Imaging for Life Science & Industrial Applications

