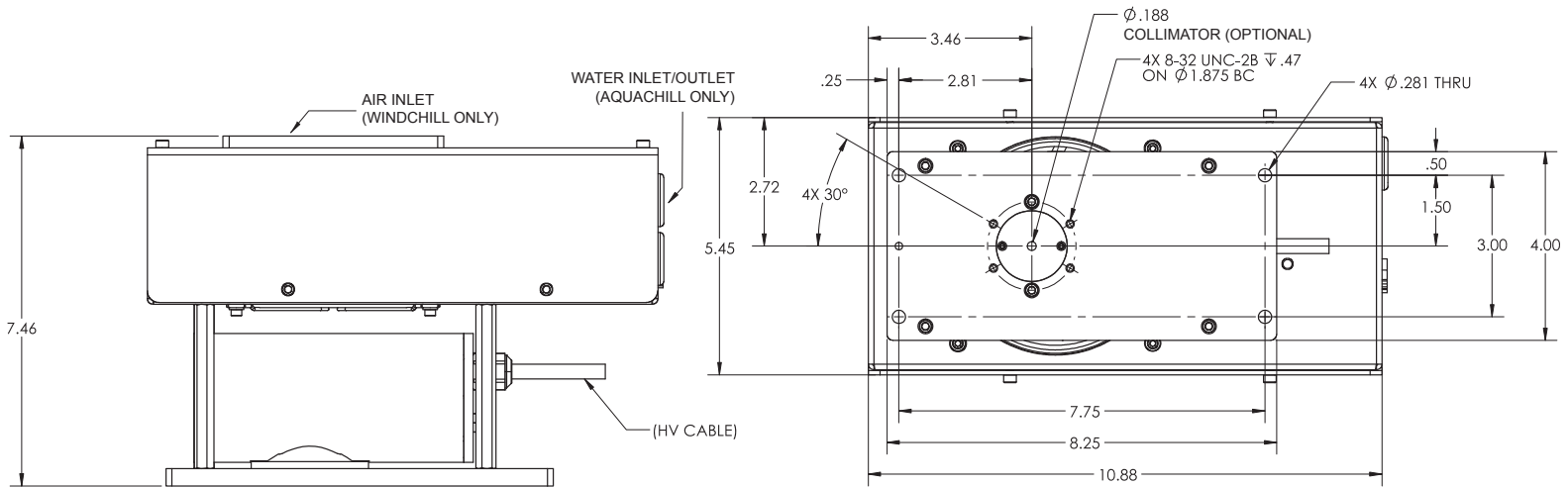


The Windchill and Aquachill are actively cooled X-ray sources designed for maximum power in challenging environments. Their compact design combines Micro X-Ray's shielded X-ray tube with either forced air or chilled water heat exchangers and an efficient integrated oil pump. Designed to maintain internal oil temperatures at safe levels even in extreme ambient conditions, Windchill and Aquachill extend the environmental operating range of the X-ray source, increase the available power output of the X-ray source, or both.

The sources feature simple plug and play operation, and includes an integrated high voltage cable, a filament cable, and a power plug. An optional high voltage power supply, with graphical user interface, is available for complete turnkey X-ray solution.



SPECIFICATIONS

Maximum Power	150 Watts
Maximum Voltage	60kV
Maximum Ambient Temperature	35°C or higher
Input Power	120/220VAC or 12/24VDC
High Voltage Cable Length	1 Meter
Low Voltage Cable Length	1 Meter
Pump Power Cable Length	1 Meter
Weight	12 lbs
Length	10.88 Inch
Width	5.45 Inch
Height	7.46 Inch

GENERAL

The control of the high voltage and the filament current, as well as radiation protection, are the responsibility of the original equipment manufacturer (OEM). Careful selection of power supply should assure that the X-Ray tube will be protected against overcurrent, overvoltage, and lack of cooling. Otherwise, the tube and/or the radiation protection may be damaged and become a hazard.

RADIATION PROTECTION

When installing the X-ray tube assembly into X-ray equipment and/or operating X-ray equipment, the responsibility for radiation protection from the X-ray window is with the user. Compliance with local regulatory requirements and limit values must be assured.