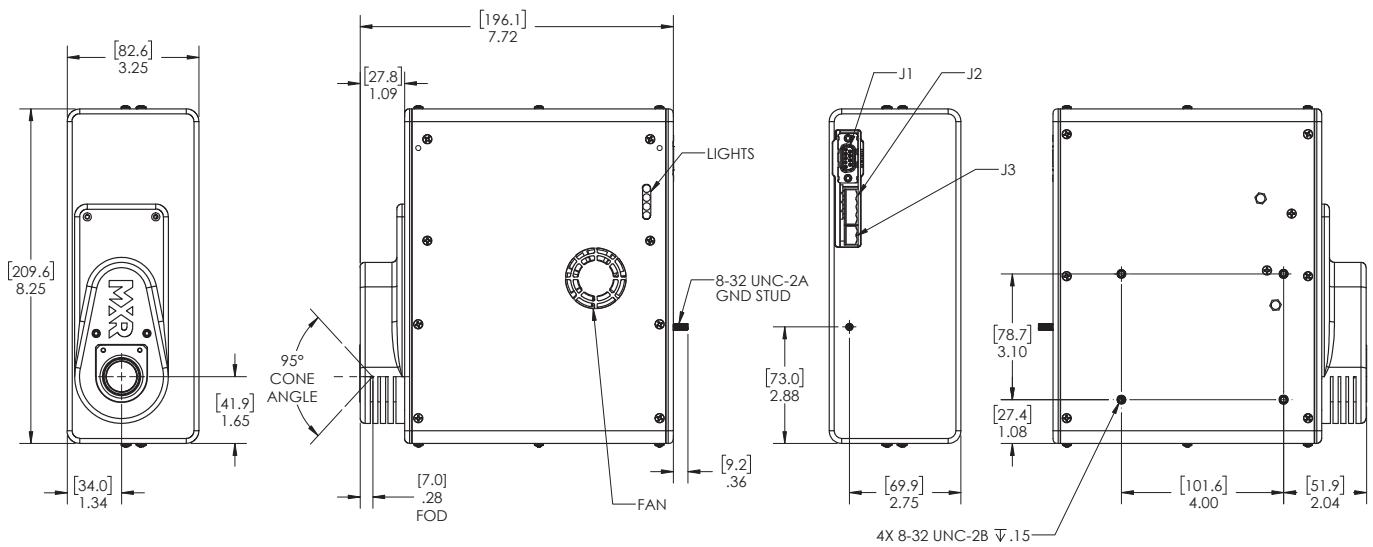




The MXR “Micro-Block” provides ultimate convenience in a compact design offering small focal spot with short FOD for optimal magnification, enabling clear 2D and 3D images. Integrated unit includes end-window tube, high voltage power supply and controller, operated with Windows® based graphical user interface, and powered with 24VDC power supply.



## SPECIFICATIONS

Operating Voltage	20-100 kV
Maximum Power	12 Watts
Spot Size	5 $\mu$ m
Weight	10 lbs. (4.5kg)
Dimensions	8.25" x 7.72" x 3.25"
Target Material	W (Tungsten)
Input Power	24VDC
FOD (spot to window spacing)	7 mm
Cone of Illumination	95°
Window Thickness	0.010" Beryllium
Communication Interface	RS-232C (9-pin D-sub connector)
Operation Ambient Temp. & Humidity	0°-30°C, 20-80% (non-condensing)
Recommended Cooling	Internal fan is adequate for operation in ambient temperature $\leq$ 25°C when operating at 12 Watts and 50% duty cycle
Software PC Requirements	Windows 7, 8.1, 10

## APPLICATIONS

- Electronic Component Inspection
- PCB Inspection
- Semiconductor Inspection
- Micro-CT Imaging for Life Science & Industrial Applications

