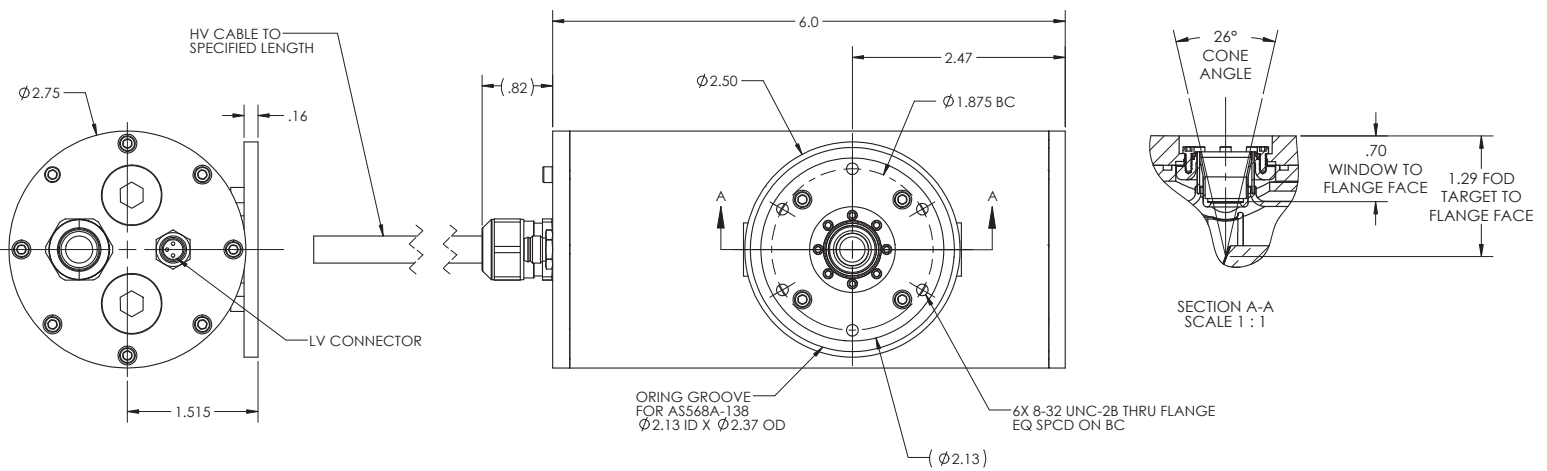




Ideally suited for end users wanting a plug and play solution. These tubes are fully radiation shielded, high voltage isolated and include a high voltage cable and low voltage cable. The bronze packaging provides radiation shielding as well as excellent thermal properties, enabling continuous operation, without compromise.



## SPECIFICATIONS

	Polarity	Grounded Cathode
	Flange Type	(6) 8-32 thread
	High Voltage Range	4-60 kV
	Anode current, maximum	3.0mA *
	Continuous rating	75 W *
	Focal spot	from 30 $\mu$ m up to 1000 $\mu$ m
	Filament current, max.	1.7 A
	Filament voltage, (nominal)	2.5 V
	Inherent filtration	127 $\mu$ m Be
	Target materials	Mo, W, Rh, Cr, Ag, Cu, Co
	Target Angle	20°
	Radiation coverage	26°
	Radiation leakage	<2 $\mu$ Sv/hr @50mm (60kv, 1mA)

\* Up to 150 W with external cooling module

## GENERAL

The control of the high voltage and the filament current as well as the design of the cooling system and the radiation protection are the responsibility of the original equipment manufacturer (OEM). Careful selection of power supply should assure that the X-Ray tube will be protected against overcurrent, overvoltage and lack of cooling. Otherwise the tube and/or the radiation protection may be damaged and become a hazard.

## RADIATION PROTECTION

When installing the X-ray tube assembly into X-ray equipment and/or operating X-ray equipment, the responsibility for radiation protection from the X-ray window is with the user. Compliance with local regulatory requirements and limit values must be assured.