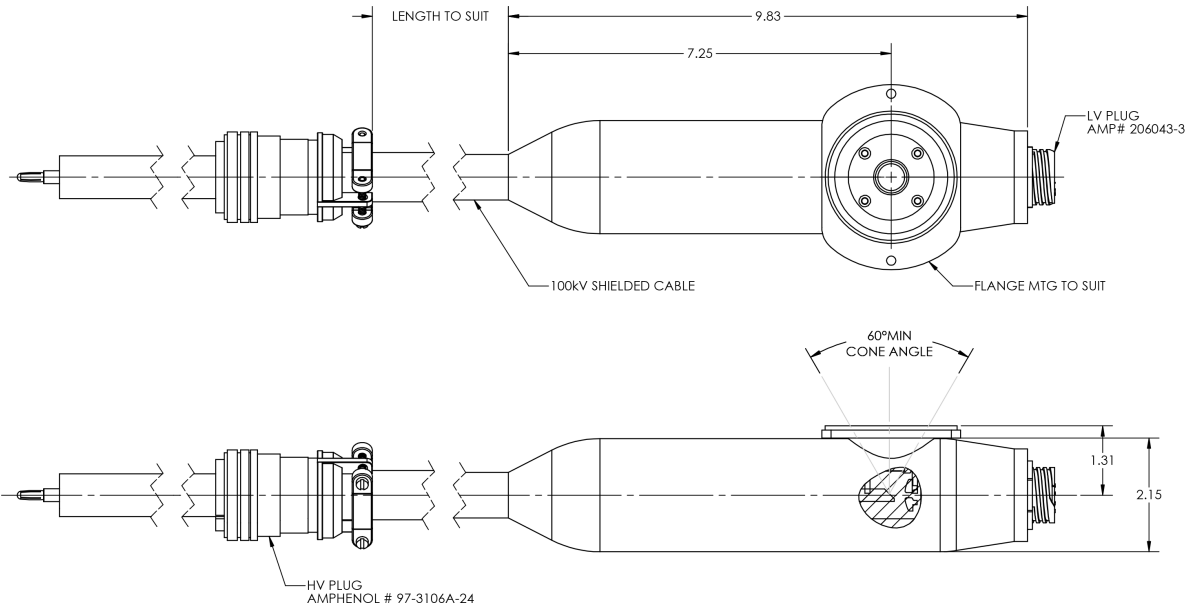


The Micro Focus X-ray Source is designed for applications requiring very small feature recognition. This tube is available with silicon encapsulation and high voltage cable, compatible with optional high voltage power supply. Alternatively the glass insert is available for OEM's with the ability to properly shield radiation and isolate high voltage.



SPECIFICATIONS

	Polarity	Grounded Cathode
	High Voltage Range	20-100 kV
	Continuous rating	12 watts (limited to 1watt/micron)
	Focal spot	6 μ m
	Inherent filtration	0.005 inch Be
	Target materials	W
	Radiation coverage	45° with option for 60°
	Cooling	Air cooled, 100 CFM fan recommended

GENERAL

Control of high voltage and cathode, as well as the design of the cooling system and the radiation protection, are the responsibility of the customer. Careful selection of power supply should assure that the X-Ray tube will be protected against overcurrent, overvoltage and lack of cooling. Otherwise the tube and/or the radiation protection may be damaged and become a hazard.

RADIATION PROTECTION

The responsibility for radiation protection is with the user. Compliance with local regulatory requirements and limit values must be assured.